



## WM-360

### MERCHANDISE DISPLAY RACK

IN-HOUSE CUSTOM GRAPHICS CAPABILITIES

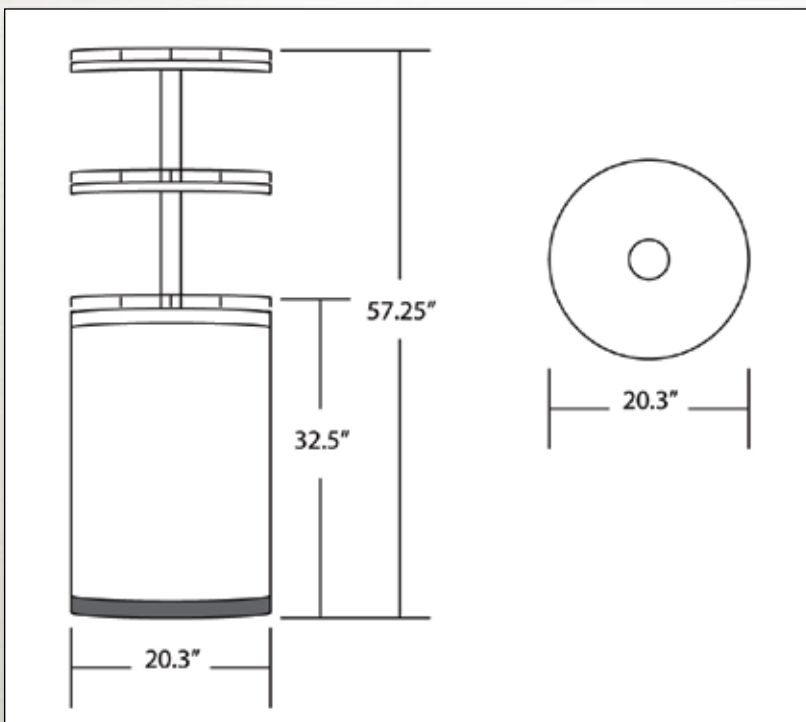
- Stimulates Impulse Purchases
- Circular Beverage Display Rack
- 3 Tier Circular Shelves
- Easy Shelf Assembly
- Heavy Duty Steel Construction
- 2 Branded Styrene Panels
- Bottom Case Display
- Bottom Holds Up To 5 Cases

## WM-360 MERCHANDISE DISPLAY RACK

### MERCHANDISE DISPLAY RACK

- Stimulates Impulse Purchases
- Circular Beverage Display Rack
- Aisle Display
- Low Profile
- 3 Tier Circular Shelves
- Heavy Duty Steel Construction
- Steel Shelf Stabilizer with Safety Pin
- Bottom Case Display
- Easy Shelf Assembly
- Pre-assembled Base
- 2 Branded Styrene Panels

### SPECIFICATIONS



**Exterior Dimensions:** 20.3"Diam. x 57.25"H  
**Package Dimensions:** 20.9"W x 20.9"D x 33.3"H

**Net Wt:** 52 Pounds  
**Gross Wt:** 59.5 Pounds

**Units Per 40' Container:** 250  
**Units Per Pallet:** 10  
**Pallets Per 53' Truck:** 30  
**Units Per 53' Truck:** 300

### PRODUCT CAPACITY

#### Estimated Product Capacity

- 246 8.3 Ounces
- 84 24 Ounces
- 114 16 Ounces
- 3-5 Case Bottom Display Section

**WARRANTY** One Year Parts, 90 Days Labor    **SPARE PARTS** Inventoried